

## Ethernet Surge Protector

### Features

- 10/100/1000Mb Data Rate (24 or 48V POE Model)
- CAT5/6 Compatible. All 8 pins protected.
- Shielded jacks and full metal housing
- Complies with IEC 61643-21 Standard
- UL497B Listed



### Applications

- Wireless Access Points and Client Devices
- IP Phone and Security Camera Systems
- Industrial Control Systems

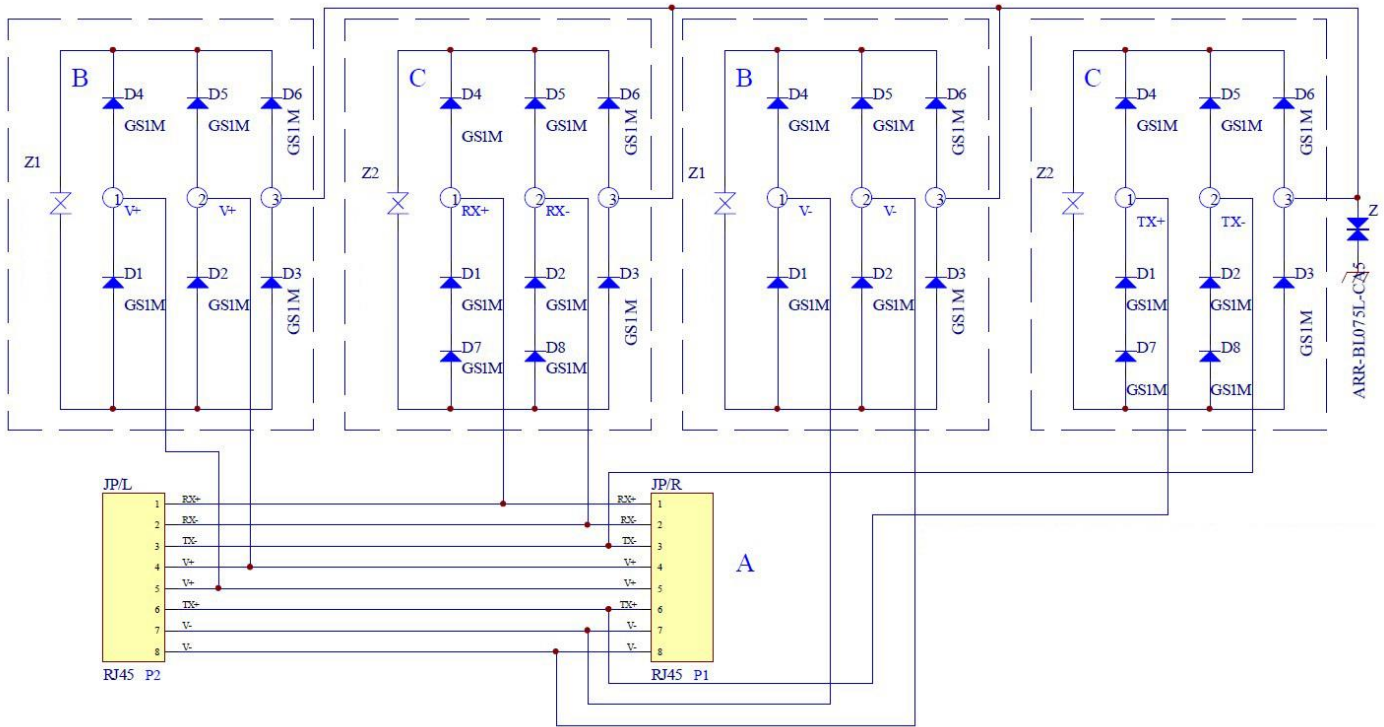
### Description

The ESP-POE are a low cost Ethernet surge protector to help protect sensitive equipment from surges caused by lightning and grid power fluctuations. They have a full metal body for improved EMI suppression and have integral mounting feet and separate ground wire. They are designed for indoor or outdoor use inside a weatherproof enclosure. The ESP-1000-POE is compatible with 10/100/1000M PoE systems up to 57V. The ESP-1000-POE24 is compatible with 10/100/1000M PoE systems up to 30V. The ESP-100-POE24 is for 10/100M passive PoE systems up to 30V. Protection is provided on all 8 CAT5/6 wires.

### Specifications

	TP-ESP-1000-POE	TP-ESP-1000-POE24	TP-ESP-100-POE24
<b>Operating Voltage</b>	Data 5V ; PoE 48V	Data 5V ; PoE 24V	Data 5V ; PoE 24V
<b>Clamping Voltage</b>	70V POE (All 8 Pins)	40V POE (All 8 Pins)	7.5V Data (Pins 1,2,3,6) 40V POE (Pins 4,5,7,8)
<b>Max Surge Discharge Current</b>	5KA (8/20us)	5KA (8/20us)	5KA (8/20us)
<b>Peak Pulse Current</b>	100A (10/1000us)	100A (10/1000us)	100A (10/1000us)
<b>Protection Mode</b>	Differential & Common Mode	Differential & Common Mode	Differential & Common Mode
<b>Insulation Resistance</b>	>1000 MOhm	>1000 MOhm	>1000 MOhm
<b>Shunt Capacitance</b>	< 25 pF	< 50 pF	< 25 pF
<b>Data Rate</b>	10/100/1000 Mbps	10/100/1000 Mbps	10/100 Mbps
<b>Response Time</b>	<5 ns	<5 ns	<5 ns
<b>Operating Temperature</b>	-40 to +85°C	-40 to +85°C	-40 to +85°C
<b>Storage Temperature</b>	-40 to +125°C	-40 to +125°C	-40 to +125°C
<b>Operating Humidity</b>	0% to 95% non condensing	0% to 95% non condensing	0% to 95% non condensing
<b>Size (L x W x H)</b>	4 x 1 x 1" (102 x 25 x 25mm)	4 x 1 x 1" (102 x 25 x 25mm)	3.2 x 1 x 1" (82 x 25 x 25mm)
<b>Weight</b>	3.1oz (88g)	3.1oz (88g)	2.4oz (68g)
<b>Ground Wire</b>	14 AWG, 10" (26cm) long	14 AWG, 10" (26cm) long	14 AWG, 10" (26cm) long
<b>Connectors</b>	RJ45 Shielded Jacks	RJ45 Shielded Jacks	RJ45 Shielded Jacks
<b>IEC Standard</b>	61000-4-5, 61643-21	61000-4-5, 61643-21	61000-4-5, 61643-21
<b>UL Standard</b>	497B	497B	497B
<b>IEEE/ ANSI Standard</b>	C62.45	C62.45	C62.45
<b>MTBF (Mean Time Between Failure)</b>	819,049 Hours		
<b>Warranty</b>	3 Years		

### Schematic



### System Ordering:

- TP-ESP-1000-POE** 10/100/1000M Network Lightning/ Surge Suppressor 70V Clamping for 48V PoE
- TP-ESP-1000-POE24** 10/100/1000M Network Lightning/ Surge Suppressor 40V Clamping for 24V PoE
- TP-ESP-100-POE24** 10/100M Network Lightning/ Surge Suppressor 7.5V/40V Clamping for 24V PoE

For further information contact:

[Tyconsystems.com](http://Tyconsystems.com)



14641 S 800 W Ste A Bluffdale, UT 84065  
 PH: 801-432-0003 FAX: 801-618-4220