



TPS Series

DATA SHEET

Heavy Duty Solar Panels

Features

- Outstanding Low Light Performance
- Solar cells laminated with TPT/EVA bi-layer for long life. 25 year solar cell output warranty
- High Efficiency with high transparency low iron tempered glass cover. Rugged extruded anodized aluminum frame
- Sealed for protection from harsh environments
- Enclosed junction box for wired connections



TPS-12-10 and TPS-12-30
12V 10W and 30W Panels

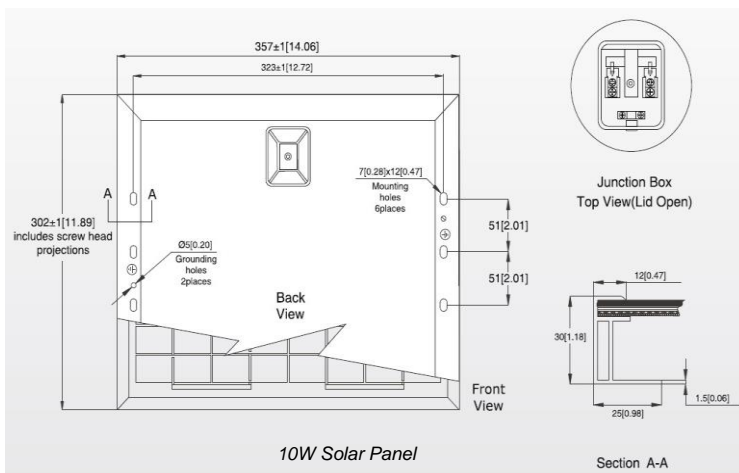
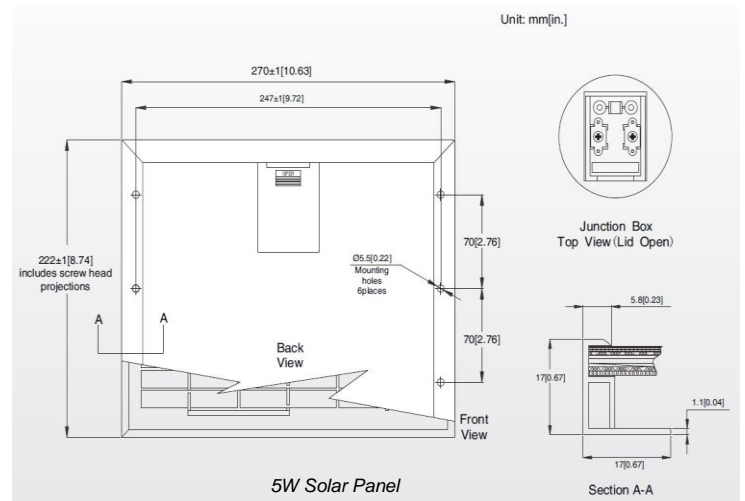
Applications

- Battery Charging Applications
- Wireless Base Stations
- Remote Sensors
- Surveillance Cameras
- Outdoor Lighting
- Backup Power Systems

Description

The TPS series solar panels are high efficiency designs with excellent low light performance. The multicrystalline silicon solar cells from Germany are laminated with a TPT (Tedlar/Polyester/Tedlar) and EVA (Ethylene Vinyl Acetate) bi-layer for high reliability and long life. The cell array is sealed in a heavy duty extruded aluminum frame with a high transparency low iron tempered glass cover to protect the solar cells from harsh environments; hail, wind, snow and ice.

The solar panels are easy to mount because of the aluminum frame design. The wired connections are via a weatherproof junction box on the back of the panels.



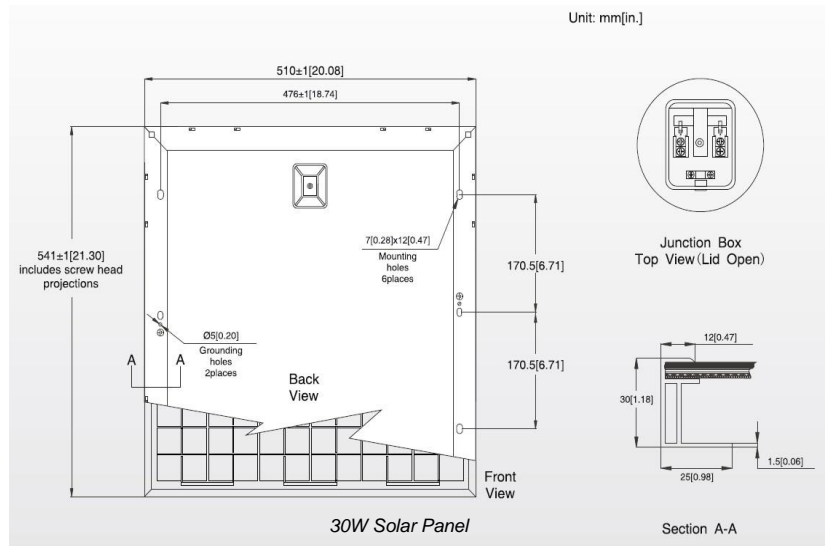
Specifications

	TPS-12-5	TPS-12-10	TPS-12-30	TPS-24-30
Maximum Power (+/-5%)	5W	10W	30W	30W
Voltage at Pmax (Vmp)	17V	17V	17.2V	34.4V
Current at Pmax (Imp)	0.29A	0.58A	1.74A	0.87A
Open Circuit Voltage (Voc)	21.6V	21.6V	21.6V	43.2V
Short Circuit Current (Isc)	0.34A	0.68A	1.93A	0.97A
Short Circuit I Temp Coeff	.065% / °C			
Open Circuit V Temp Coeff	-80mV / °C			
Output Power Temp Coeff	0.5%/°C			
Wind Survivability	201kph (125mph)			
Hailstone Survivability	1" @ 50mph			
Operating Temperature	-40 to +85°C			
Continuous Power Capability (6hrs average sunlight per day)	1.25W	2.5W	8W	8W
Size	222 x 270 x 17mm (8.7 x 10.6 x 0.67")	302 x 357 x 30mm (11.9 x 14 x 1.2")	541 x 510 x 30mm (21.3 x 20 x 1.2")	541 x 510 x 30mm (21.3 x 20 x 1.2")
Weight	0.75kg (1.7lb)	1.6kg (3.5lb)	3.8kg (8.4lb)	3.8kg (8.4lb)
IV Curves				

- Notes:**
- All shipments F.O.B. Bluffdale, UT 84065
 - Tycon Solar®, Solar Panels carry a 5 year limited warranty and a 25 year limited power output warranty

System Ordering:

- TPS-12-5** 12V 5W Heavy Duty Solar Panel
- TPS-12-10** 12V 10W Heavy Duty Solar Panel
- TPS-12-30** 12V 30W Heavy Duty Solar Panel
- TPS-24-30** 24V 30W Heavy Duty Solar Panel



For further information contact:

Tyconsystems.com



14641 S 800 W Ste A
Bluffdale, UT 84065
PH: 801-432-0003
FAX: 801-618-4220