

High Power Solar Panels

Features

- Outstanding Low Light Performance.
- Solar cells laminated with TPT/EVA bi-layer for long life. 25 year solar cell output warranty.
- High Efficiency with high transparency low iron tempered glass cover. Rugged extruded anodized aluminum frame.
- Sealed for protection from harsh environments.
- Enclosed junction box for wired connections.

Applications

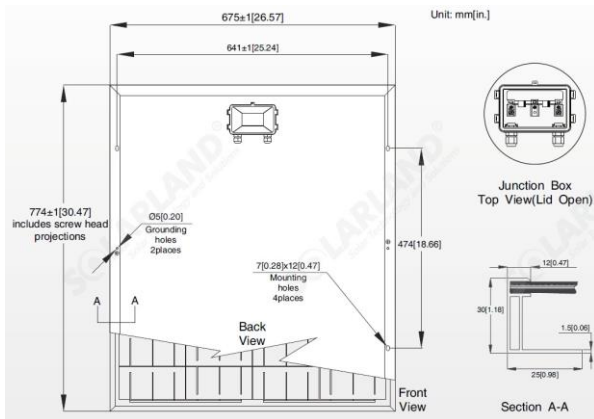
- Battery Charging Applications
- Surveillance Cameras
- Wireless Base Stations
- Outdoor Lighting
- On-Grid or Off-Grid systems
- Backup Power Systems



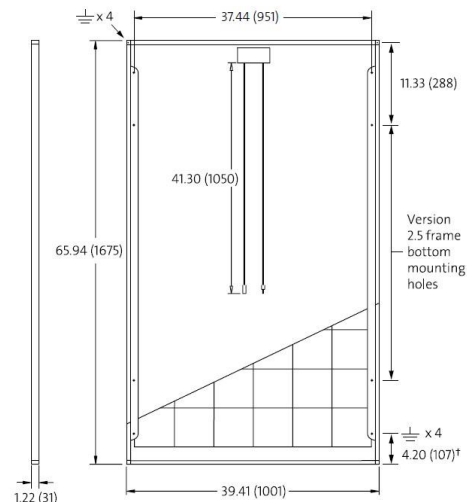
Description

The TPSHP series solar panels are high efficiency designs with excellent low light performance. The multicrystalline silicon solar cells are laminated with a TPT (Tedlar/Polyester/Tedlar) and EVA (Ethylene Vinyl Acetate) bi-layer for high reliability and long life. The cell array is sealed in a heavy duty extruded aluminum frame with a high transparency low iron tempered glass cover to protect the solar cells from harsh environments; hail, wind, snow and ice.

The solar panels are easy to mount because of the aluminum frame design. The wired connections are via a weatherproof junction box on the back of the panels. The Normal Operating Cell Temperature is specified at 47°C.

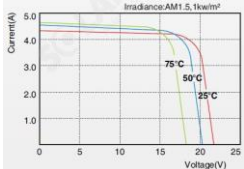
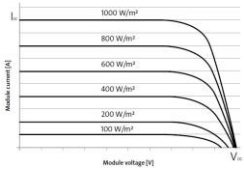


70W Solar Panel



260W Solar Panel

Specifications

| | TPSHP-12-70 | TPSHP-24-250 |
|--|---|---|
| Maximum Power (+/-5%) | 70W | 260W |
| Voltage at Pmax (Vmp) | 17.2V | 31.4V |
| Current at Pmax (Imp) | 4.07A | 8.37A |
| Open Circuit Voltage (Voc) | 21.6V | 38.4V |
| Short Circuit Current (Isc) | 4.35A | 8.94A |
| Short Circuit I Temp Coeff | .065% / °C | .081% / °C |
| Open Circuit V Temp Coeff | -80mV / °C | -.37% / °C |
| Output Power Temp Coeff | 0.5%/°C | -.45% / °C |
| Continuous Power Capability (6hrs average sunlight per day) | 17W | 62W |
| Operating Temperature | -40 to +85 C (-40 to 185 F) | |
| Size | 774 x 675 x 30mm (30.5 x 26.6 x 1.2") | 1675 x 1001 x 33mm (65.9 x 39.4 x 1.3") |
| Weight | 6kg (13.2lb) | 18kg (39.7lb) |
| IV Graph |  |  |
| Warranty | 5 Years Workmanship / 25 Year Output | |



System Ordering:

- TPSHP-12-70** 12V 70W Solar Panel
- TPSHP-24-250** 24V 260W Solar Panel

For further information contact:

Tyconsystems.com



14641 S 800 W Ste A
Bluffdale, UT 84065
PH: 801-432-0003
FAX: 801-618-4220