



UPS-STL48-xx

DATA SHEET

Outdoor UPS System

Features

- Up to 200W Maximum Continuous Output
- Manageable Charge Controller with Remote Monitoring
- Integral 7 Port Gigabit PoE Switch
- Isolates Equipment from Power Line Surges
- High Performance Sealed Lead Acid Batteries
- 200Ah (2400VA) and 400Ah (4800VA) Battery Capacity
- Operating Temperature -30°C to +60°C
- Weatherproof, Vented, Locking Outdoor Enclosure
- Solar Ready, Just add 48V Panels to Convert to Solar.

Application

- Wireless Base Stations
- Security Applications
- Electric gates and fences
- Cell Towers

Description

The UPSPro[®] STL outdoor UPS systems are designed to provide up to 200 continuous watts of backup power. The controller provides load control to make sure the batteries don't over-discharge. This greatly extends the life of the batteries. The load output is also regulated to be sure that the voltage doesn't exceed the maximum voltage allowed by the load. The system is powered from 115VAC or 230VAC power. In case of power failure, the transition to battery power is seamless and automatic. Recovery is automatic. Systems are available without batteries to save on international shipping costs.

The systems feature a state-of-the-art manageable, temp compensated, MPPT battery charge controller with integrated monitoring/control and 7 port gigabit PoE switch. The controller is powered by a 65V 1200W AC to DC power supply.

The vented weatherproof enclosures have generous space available inside for mounting customer equipment. A 19" 1U rackmount feature is integral to the enclosure as are multiple DIN Rail mounts. The enclosure has security latches that can be secured using a customer supplied padlock. There are three cable gland ports for CAT5 cable, solar and other cabling. There is a thermostatically controlled fan that automatically turns on when the temperature exceeds 45°C. The included bracket kit allows for the enclosure to be pole mounted or wall mounted. The systems are rated to operate over a wide temperature range of -30°C to +60°C.

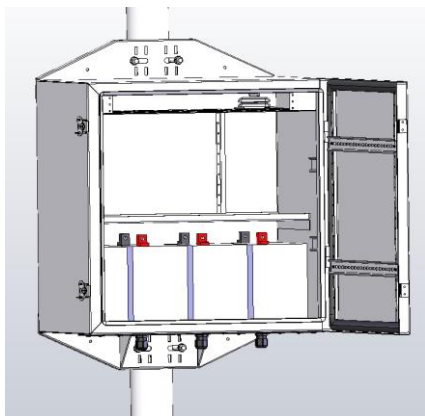
There are two system configurations available: 48V 50Ah (2400VA) and 48V 100Ah (4800VA) Battery. Batteries are a Non-Spillable Valve Regulated Sealed Lead Acid Advance Glass Matt (AGM) type which have excellent temperature and deep discharge performance. Expected battery life exceeds 5years

Equipment runs on battery power which isolates it from power line surges which is a main cause of outdoor equipment failure.

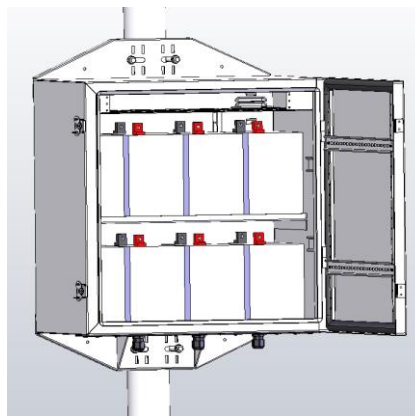


Specifications

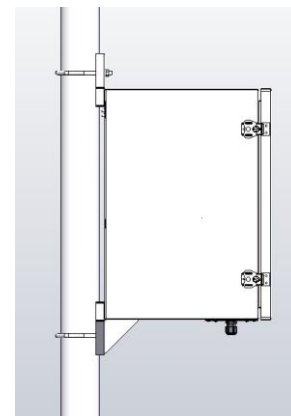
	UPS-STL48-50	UPS-STL48-100
Backup Time @ 50W Load	24Hrs	48Hrs
Backup Time @ 100W Load	12Hrs	24Hrs
Backup Time @ 150W Load	8Hrs	16Hrs
Backup Time @ 200W Load	6Hrs	12Hrs
PoE Output (Passive PoE)	7 Gigabit PoE Ports, 24V or 48V Selectable	
Maximum Total Load Output	200W	
Secondary Voltage Output	24V or 48V @ 2.25A Max; Selectable via Web Interface	
Storage Capacity	200Ah (2400VA)	400Ah (4800VA)
Battery Type	Non-Spillable Valve Regulated Sealed Lead Acid AGM	
Battery Life (Typical)	5+ Years	
Battery Voltage	48VDC	
Maximum Charge Current	18A	
Over-Discharge Protection	45.8V to 47.8 – settable in web interface	
Other Protections	Surge Protection on Inputs and Outputs	
VAC Input +/- 10%	115VAC / 230 VAC Selectable	
VAC Input Current	12A @ 115VAC ; 6A @ 230VAC Max	
Self-Consumption	3.5W Typical	
Enclosure Type	Powder Coated Steel, Pole or Wall Mount	
Enclosure External Size	24.1 x 24.1 x 17.5" (612.5 x 612.5 x 445.6mm)	
Enclosure Internal Size	23.9 x 23.9 x 16.1" (608 x 608 x 409.5mm)	
Operating Temperature	-30°C to +60°C (-22°F to 140°F)	
System Weight (no batteries)	75lb (34kg)	
Battery Weight	152lb (69kg)	304lb (138kg)
Warranty	3 Years	



UPSPro[™] STL with 200Ah of battery



UPSPro[™] STL with 400Ah of battery



UPSPro[™] STL Side View

For further information contact:

Tyconsystems.com



14641 S 800 W Bluffdale, UT 84065
PH: 801-432-0003 FAX: 801-618-4220