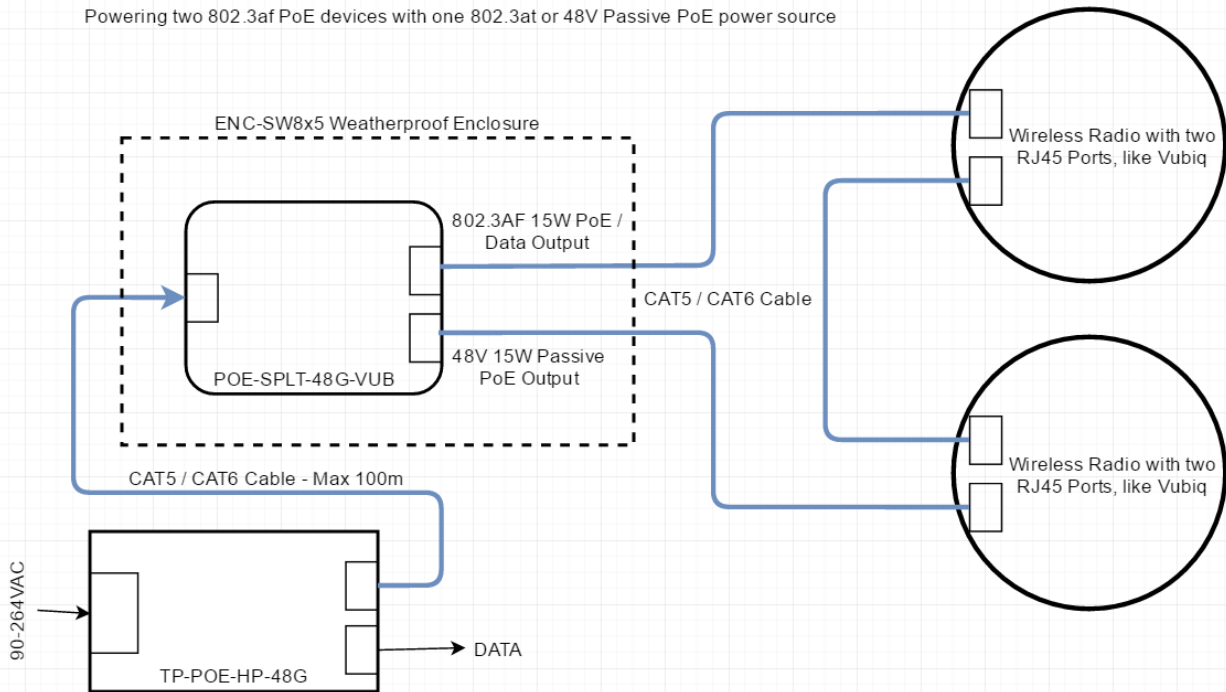


POE-SPLT-48G-OUT-V Install Guide

1. Mount the POE-SPLT-48G-VUB converter unit inside the ENC-SW-8x5 weatherproof enclosure using the Velcro Strips provided.
2. Mount the enclosure in the desired location with the cable feedthrough end oriented toward the ground. Enclosure can be mounted using the included U-Bolts or hose clamps which are readily available on the market which accommodate different size poles.
3. Route the outdoor rated shielded CAT5/CAT6 cables from the converter unit to the PoE powered devices as shown in the diagram below. A second cable will be used to connect the data from Unit 1 to Unit 2.

Application

Powering two 802.3af PoE devices with one 802.3at or 48V Passive PoE power source



4. Connect a CAT5/6 cable up to 100m long between the TP-POE-HP-48G inserter PoE output and the POE-SPLT-48G-VUB converter input. Connect the TP-POE-HP-48G inserter to AC Power. **Note:** The 100m cable length limitation includes the connections between the POE-SPLT-48G-VUB converter and the devices being powered by PoE.