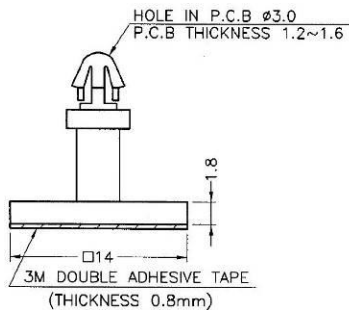


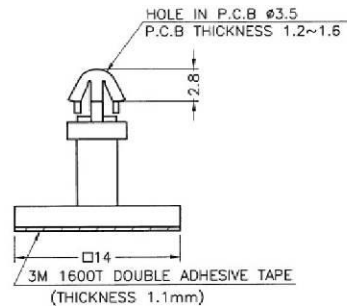
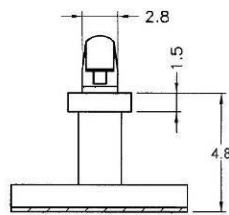
The EZ-SNAP is an adhesive backed standoff for PCB electronics mounted in indoor or outdoor enclosures. The Nylon 66 standoffs are UL 94V-2 rated for flammability. The permanent 3M adhesive has great holding power over a wide temperature range.

The EZ-SNAP are low profile, providing a standoff of only 5mm which preserves interior space inside the enclosure. There are 2 models available; one to accommodate 3mm PCB holes like are found on Zinwell or Ubiquity products and the other to accommodate 3.5mm PCB holes like are found on Microtik products.

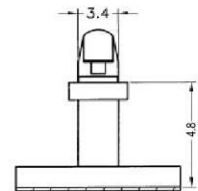
The EZ-SNAP are packed in a 4 pack.



EZSNAP-5-3



EZSNAP-5-3.5



SPECIFICATIONS

Material	Nylon 66
Adhesive	3M Permanent Adhesive
Flammability	UL 94V-2
Stand-off Height	4.8mm
Temperature Range	-40 to +80C
Color	Natural



Notes:

- All shipments F.O.B. Bluffdale, UT 84065

Ordering:

EZSNAP-5-3 4 pack; 5mm Adhesive Backed Nylon66 Standoff for 3mm hole

EZSNAP-5-3.5 4 pack; 5mm Adhesive Backed Nylon66 Standoff for 3.5mm hole