

High Rate Valve Regulated SLA Battery

Features

- Sealed and Maintenance Free
- Safety Valve for Ultimate Safety; Prevents Overpressure
- Exceptional Deep Discharge Recovery Performance
- Low Self Discharge Characteristics
- Highly Resistant to Vibration and Shock



TPBAT6-180
6V 180Ah SLA GEL Battery

Applications

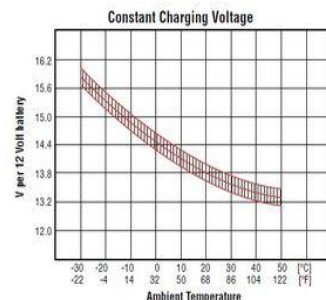
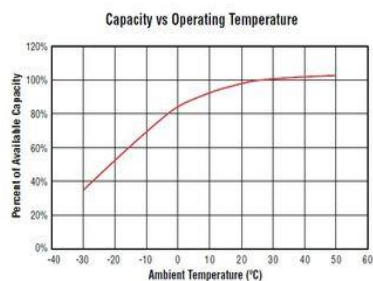
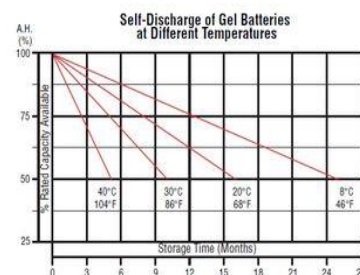
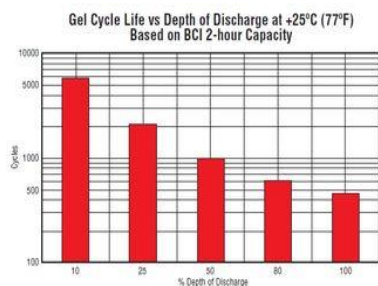
- Remote Equipment Power
- Surveillance Cameras
- Wireless Base Stations
- Medical Equipment
- Remote Sensors
- Backup Power Systems

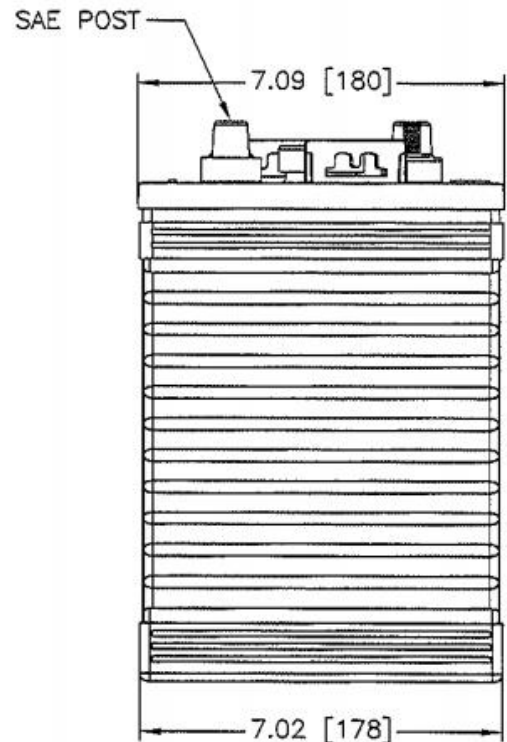
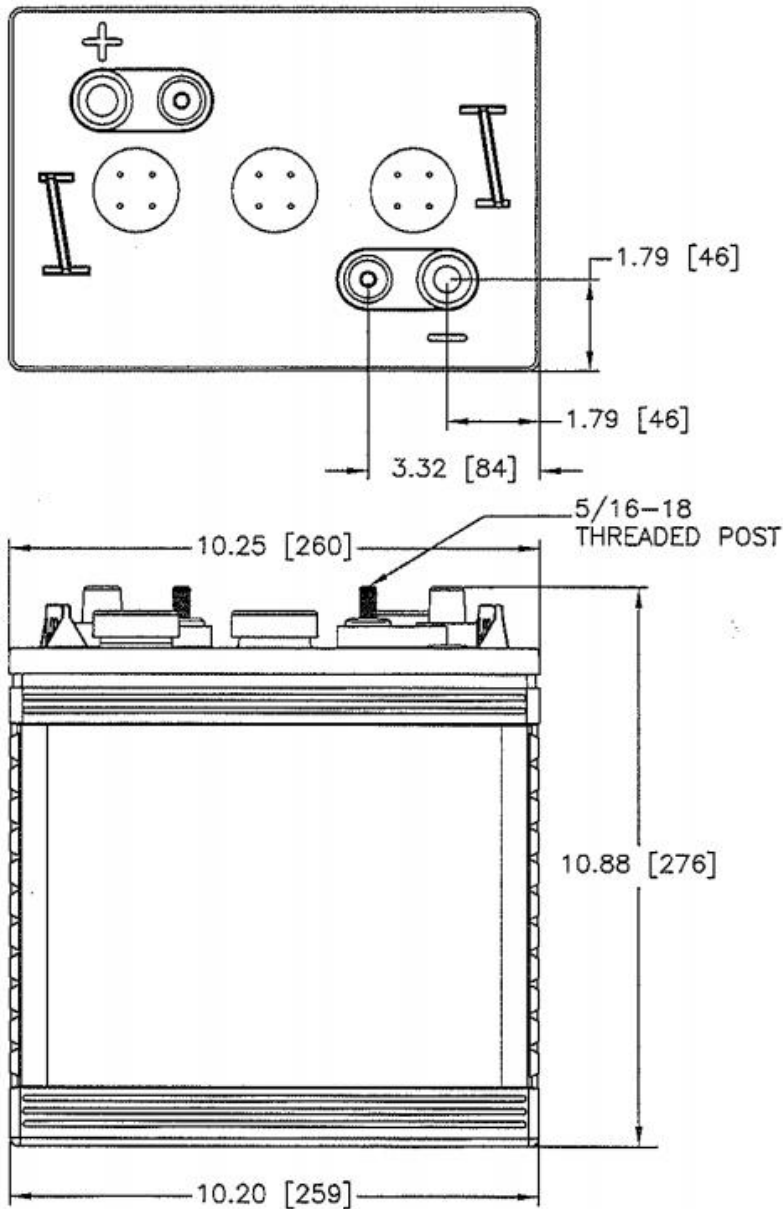
Description

The TPBAT6-180 high rate valve regulated sealed lead acid (VRLA) GEL battery has been developed for long term operation in harsh environments. They have a high cycle life and good 5 year float life. They are designed to operate over a wide temperature range such as those experienced in outdoor equipment applications. The batteries can be installed in any position without affecting their performance or reliability.

Specifications

| TPBAT6-180 | |
|-----------------------------------|--|
| Voltage | 6V |
| Capacity (amp hours; 20hr) | 180 |
| Typical Float Life | 5 Years |
| 30% Discharge Cycle Life | 1700 Cycles |
| Type / Technology | Valve Regulated Sealed Lead Acid / GEL |
| Self-Discharge (25°C) | <3% per month |
| Charge Voltage (-9mV / °C) | 7.05 to 7.2V ; Max Current 54A |
| Float Voltage (-9mV / °C) | 6.72 to 6.78V |
| Operating Temperature | -60C (-76F) to +60C (140F) |
| Housing | Polyethylene |
| Dimensions (L x W x H) | 260 x 180 x 276 (10.25 x 7.1 x 10.9") |
| Weight | 30.8kg (68lb) |
| Warranty | 2 Years |





System Ordering:

TPBAT6-180 6V 180Ah Valve Regulated Sealed Lead Acid GEL Battery

For further information contact:

Tyconsystems.com

