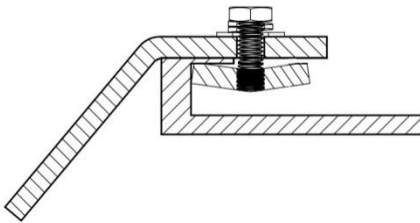
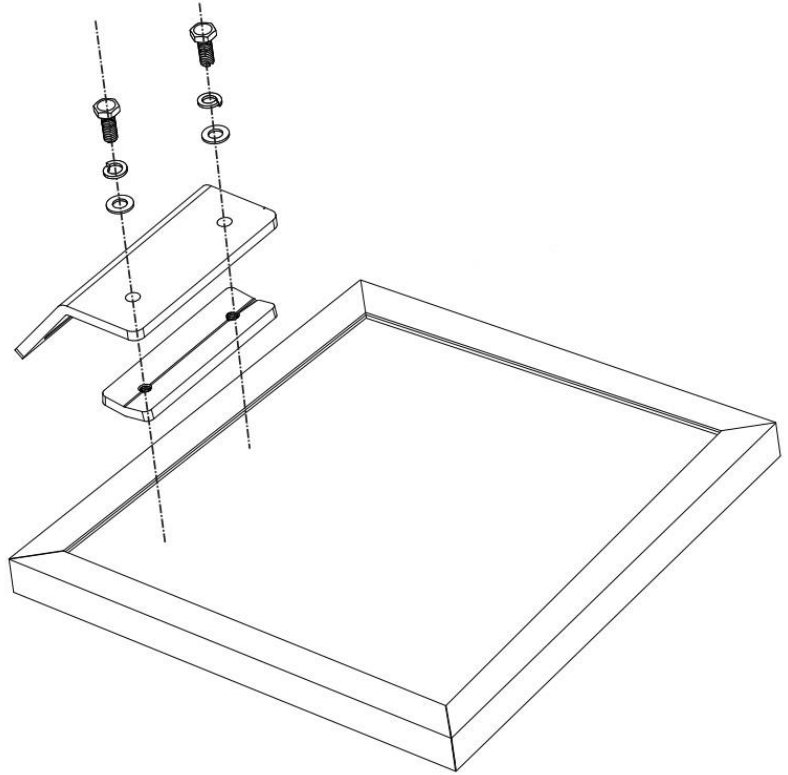




Instruction Sheet for TP5M-5-15-SP

Step 1:

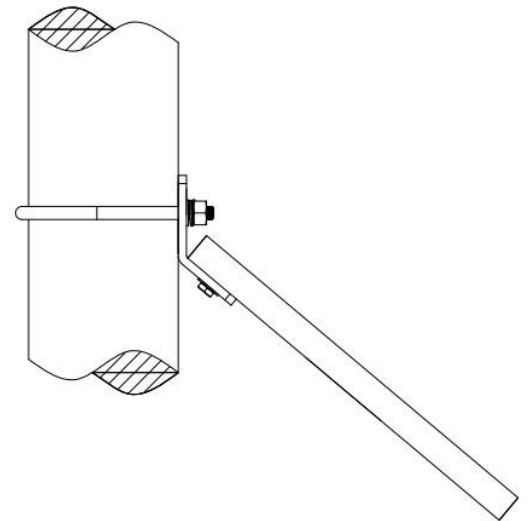
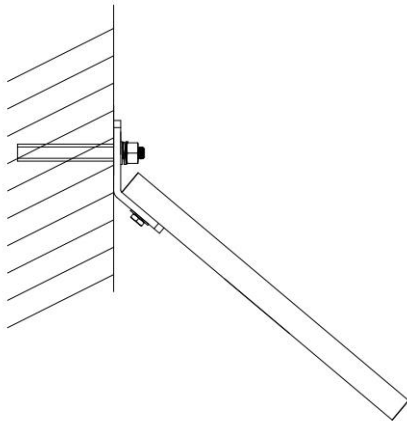
Attach the PV module to the bracket using the clamp positioned under the PV module frame, bolts, lock washers and washers. Drill any required holes in the frame. It is suggested that you lubricate all nuts prior to assembly to make it easier to remove later.



Step 2:

For pole mounting use the included U-Bolt to attach to a 1.5" to 2" diameter pole. For larger poles you can use pole straps (hose clamps) to strap the bracket to the pole.

For wall mounting, just screw the bracket to a wall using screws or anchors.



The bracket is fixed at a 40degree tilt which is generally a good tilt for most applications.

Note: Bracket is designed for use on solar panels up to 15W