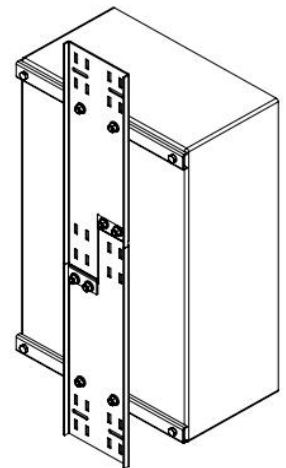
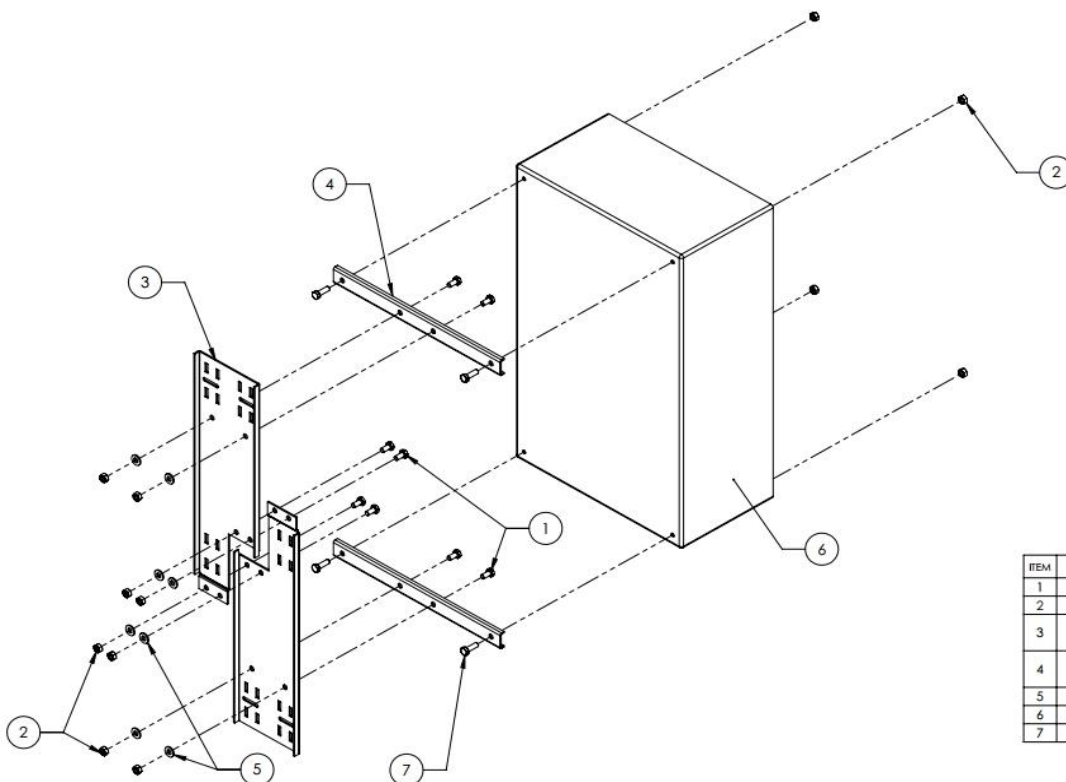


Tycon® ENC-ST-23x14x12 Installation Instructions

1. There is various hardware that comes with the enclosure including hole plugs, cable glands (feedthru), hardware for wall mounting, copper nuts for grounding, etc. This instruction will not attempt to detail installation of those misc. components because it's self-explanatory.
2. There is a feedthru plate in the bottom of the enclosure. This plate can be removed and modified as required for the customer installation.
3. The enclosure comes with 4 cable glands(feedthru). Once these are installed if they won't be used, just cut a short piece of cable and tighten inside the cable gland to seal it.
4. If you are using the enclosure with batteries, a battery plate is included which sits in the bottom of the enclosure to space the batteries off the bottom of the enclosure. Place the battery plate in the enclosure as far back as possible, just in front of the cable glands (feedthru).
5. There are mounting rails on the door and on the left and right inside of the enclosure. These rails are for mounting a metal or wooden plate or DIN Rail to hold various equipment.
6. The removeable orange plate in the back of the enclosure can be used for mounting heavy equipment.
7. For pole mounting, the enclosure comes with a bracket kit for mounting to a pole. To assemble the pole mount bracket to the enclosure, see the illustration below:



ITEM	PART NO.	DESCRIPTION	QTY
1	PER DESCRIPTION	M8 x 16mm STAINLESS SCREW	8
2	PER DESCRIPTION	M8 DOUBLE CHAMFER NUT	12
3	5200004-1	BRACKET KIT, POLE MOUNT, 24x15x14 STEEL ENCLOSURE	2
4	5200004-2	BRACKET KIT, POLE MOUNT, 24x15x14 STEEL ENCLOSURE	2
5	PER DESCRIPTION	M8 SPLIT RING LOCK WASHER	8
6	PER DESCRIPTION	ENCLOSURE ENC-ST-23x14x12	1
7	PER DESCRIPTION	M8 x 24mm STAINLESS SCREW	4