

ENC-ST-23X14X12 Qwik Install

STEP 1: Add Grounding jumper wire between 2 copper studs and use copper washers and nuts to secure.

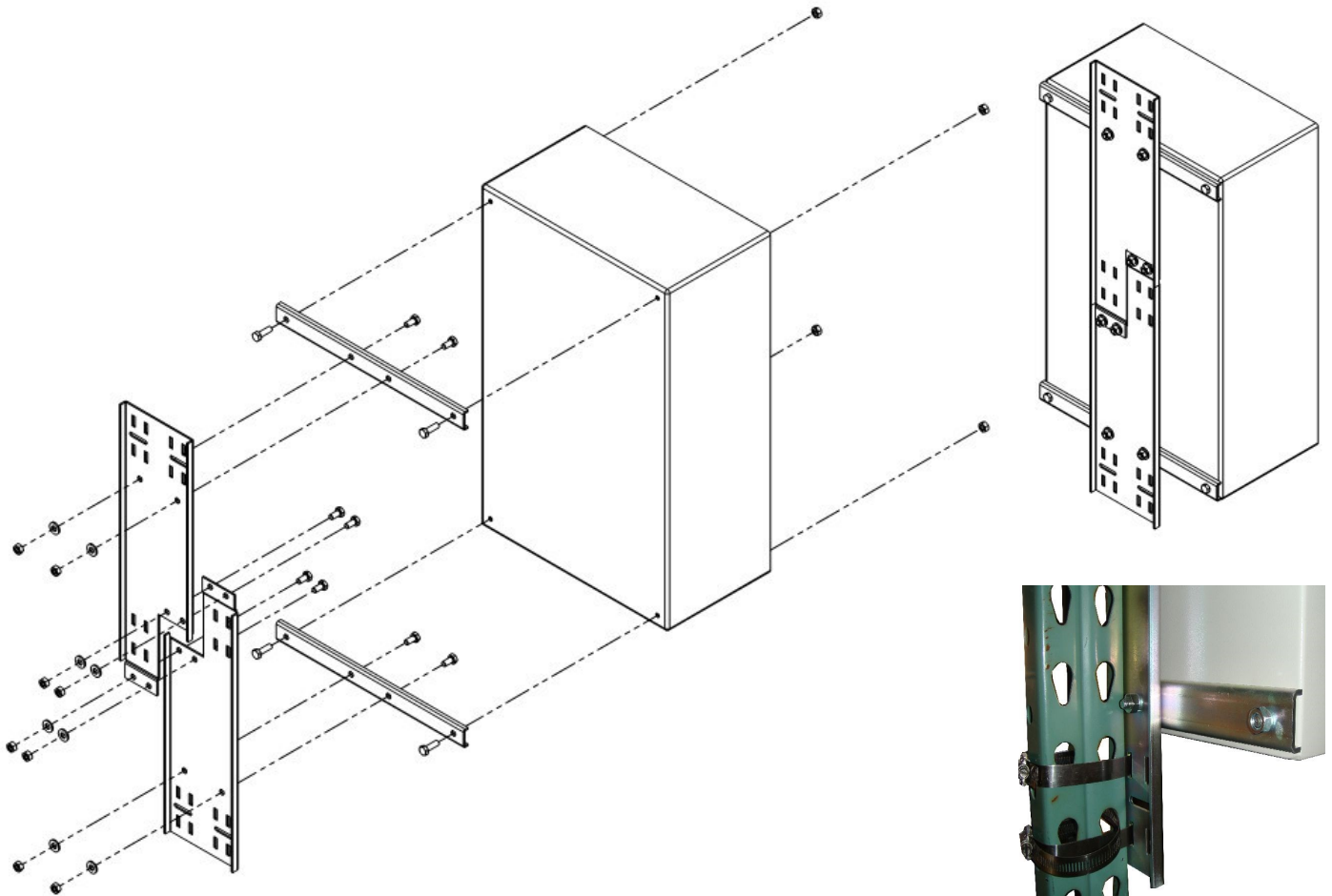


STEP 2: Install a hole plug in drain hole in bottom right corner of the enclosure.

STEP 3: Add wire feedthrus into the bottom connector plate and attach the connector plate.



STEP 4: If pole mounting the enclosure, assemble the pole mount kit to the back of the enclosure and mount the enclosure to a pole using 6 hose clamps (not included). The enclosure can also be wall mounted using the 4 holes in the back of the enclosure.



STEP 5: Insert the battery platform in the bottom of the enclosure. The battery platform has cutouts so wires can be routed under the battery as needed.

