

# TP-NCMS412-24

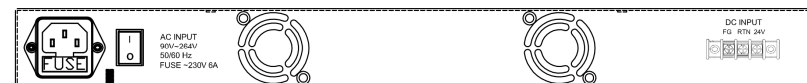
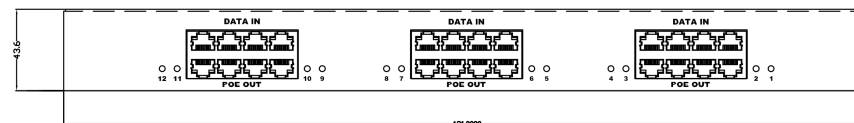
## 12-PORT 24V PoE Midspan

### Features

- compact and cost effective solution for remote Ethernet terminal
- Plug and Play
- Non-802.3af compliant, without shake hand.
- Independent over current and short circuit protection on each port
- Individual port status indicators
- Support PoE power up to 24W for each PoE ports.
- All materials meet RoHS Directive

### Specifications

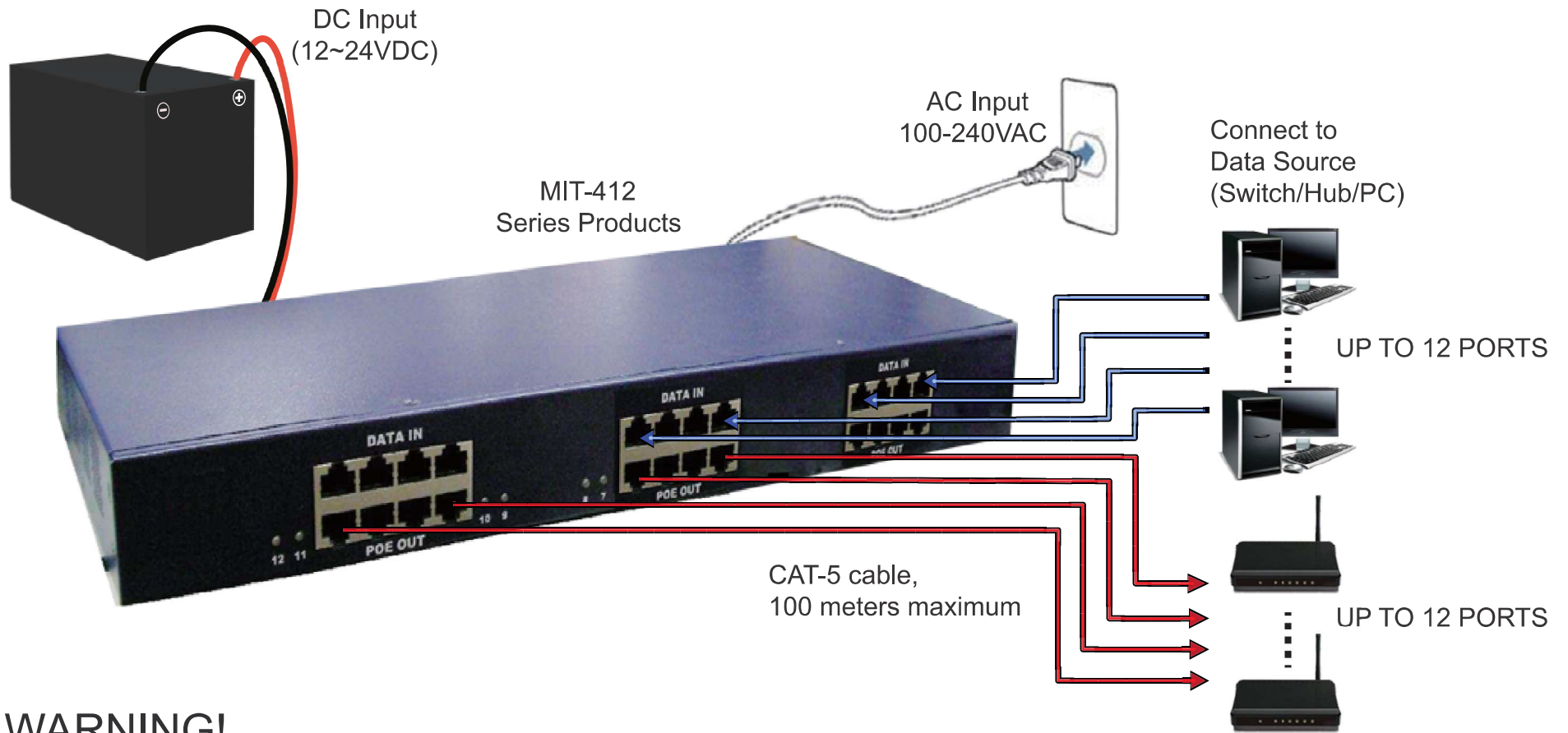
No. of Ports	12x legacy Ethernet ports input 12x PoE ports output
Data Rates	10/100/1000 Mbps
PoE Output	Pin Assignment and Polarity: 4/5 (+), 7/8 (-) Output Power Voltage: 24V Up to 24W max. for each PoE port Maximum 300W when all PoE ports be used
Input Power Requirements	AC Input Voltage:90 to 264Vac AC Input Current: 4A @ 115 Vac /<2A @ 230 Vac AC Frequency: 47 to 63 Hz DC Input Voltage: 24.5V-28V* DC Input Current: 12Amax
Dimensions	431 mm (W) x 190 mm (D)x 43.6 mm (H)
Weight	2.7KG
Indicators	Green: PoE outputting Red: PoE ready OFF: power off
Environmental Conditions	Operating Ambient Temperature: -20 to 70°C Operating Humidity: Maximum 90%, Non-condensing Storage Temperature: -25 to 85°C Storage Humidity: Maximum 93%, Non-condensing
Chassis Material	IRON



### Remark:

1. The recommend DC input voltage is 24.5V-28VDC, if the input in the range, the output regulated at 24VDC.
2. The model allow 12V to 24V input, the output is 2V less the input, for example, the input voltage 18V, then the output voltage is 16V.

# Application of POE(Power over Ethernet)



## WARNING!

Ensure the right DC voltage before connect injector to your device. Connect the injector with PoE devices only, connect the injector directly to non-PoE device may cause serious damage!